



# *Accessibility In the Home*

Convenience,  
Ease,  
Livability



Lidwina Schembri Wismayer - Occupational Therapist - 15<sup>th</sup> may 2008

**Accessible Design:**

Design to accommodate specific individuals or groups of individuals with disabilities. This will always be necessary in certain situations when it is the **ONLY** solution for some users.

**Universal Design:**

Design of products and environments so they are usable by, and appealing to, everyone regardless of age, ability or circumstance.

**Accessible/Universal Design:**

Universal Design can be distinguished from Accessible Design in the way that the accessible features have been integrated into the overall design.



# DESIGN FOR EASY LIVING



Universal design is the idea of making things comfortable and convenient for as many different people at as many stages of life as possible.

Universal design adds.....

FLEXIBILITY

SIMPLICITY

STYLE AND INDIVIDUALITY

SAFETY

# Who is the home built for?

Usually.....

The imaginary "average" person - a healthy, fit, young man of average height.

Universal design.....

- Families with young children
- People who want to stay in their homes as they grow older
- People who want to simplify their housekeeping
- People who are taller or shorter than average
- People who use wheelchairs or walkers
- People who have sensory impairments

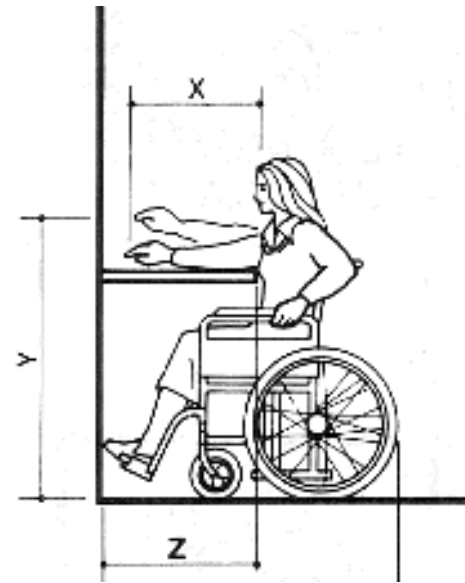




## TOP 3 TROUBLE SPOTS

Three places in the average home that cause the most everyday barriers and inconveniences:

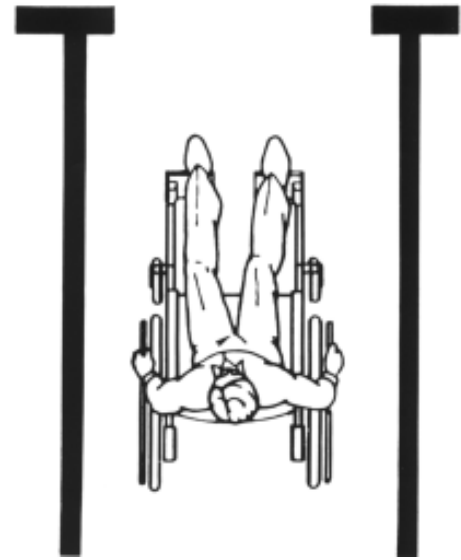
- THE ENTRANCE
- THE BATHROOM
- THE KITCHEN



# Entrance



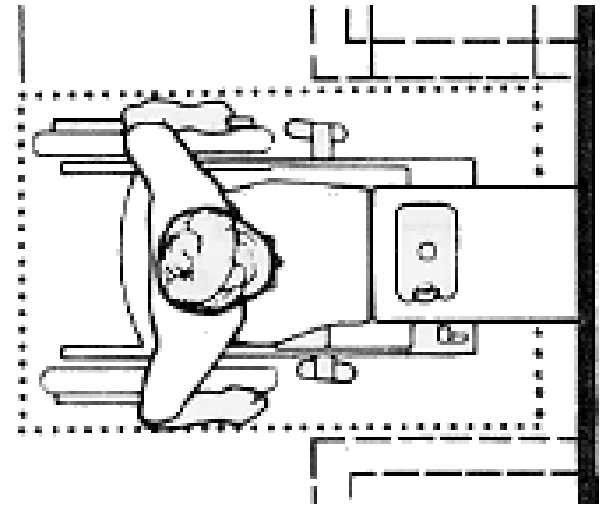
- Main floor at ground level - no steps, no ramps to enter.
- Kitchen, bathroom, one sleeping room on the main floor.
- Open floor plan - no long, narrow hallways, no sharp boundaries between rooms.
- No raised thresholds.
- Ample landing space both outside and inside the entry door.
- Canopy, roof or awning to protect entrance from rain.
- Door locks that are easy to operate such as keyless with remote.





## Bathroom

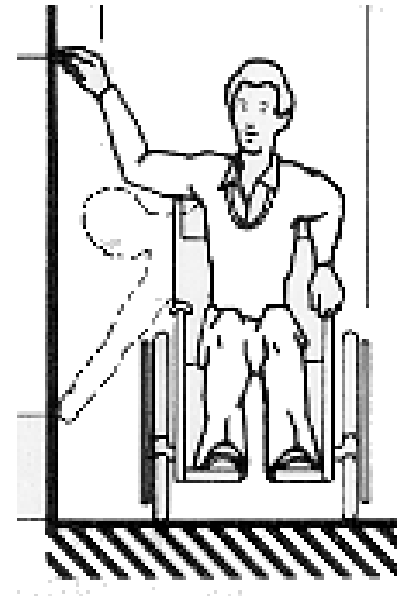
- Ample floor space for maneuvering between bathroom fixtures
- Walk-in shower with no threshold
- Adjustable-height, handheld showerhead
- Reinforced grab-rails in the bath and shower and near the toilet
- Anti-scald taps with a single-lever handle for sink, shower/bath
- Clearance under sink for seated users
- Toilet height adjustable or use of toilet raise
- Full length or tilting mirror



# Kitchen



- Clear counter space next to all appliances and cupboards
- Plenty of open floor space for maneuver
- Open space under sink with insulated pipes
- Height adjustable counters and work surfaces
- Raised platform under dishwasher
- Appliance controls that are easy to read & easy to reach
- Easy access to storage
- Good lighting over sink, stove and work surfaces
- Some electrical switches and outlets at front of lower cupboards
- Side-by-side refrigerator and freezer



## Bedroom:

- Ample maneuvering space
- Space around both sides of the bed
- Light switched near bedside and reachable by w/ch users
- Wardrobe rods reachable by w/ch user or height adjustable
- Folding doors and accordion type doors to be avoided

### To consider:

- Laundry
- Living area
- Garage
- Flooring
- Windows
- Switches
- Alarms
- Circuit breaker



*Thank You*



Malta Association of Occupational Therapists